

Data Sheet GTS

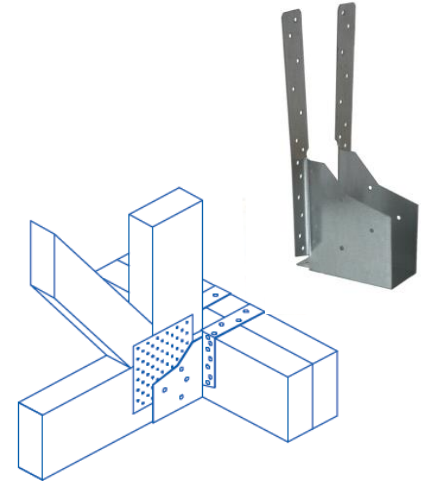
Girder Truss Shoe

Designed to provide a structural connection between a truss and a girder truss or beam. Manufactured from 1.2mm thick galvanised steel to

BS EN 10346:2009 + G275. Features a location tab allowing easy accurate alignment of the hanger. Suitable for face fix or wrap-over fixing.

Product Reference	SWL(kN)	Width(W)	Side(S)	Leg(L)	Box Qty.
GTS/800/38	9.88	38mm	120mm	266mm	50
GTS/800/44	9.88	44mm	117mm	263mm	50
GTS/800/47	9.88	47mm	115mm	262mm	50
GTS/800/50	10.58	50mm	114mm	260mm	50
GTS/800/63	11.34	63mm	107mm	254mm	50
GTS/800/75	12.05	75mm	101mm	248mm	50
GTS/800/88	12.05	88mm	95mm	242mm	50
GTS/800/100	13.44	100mm	89mm	236mm	50

Bearing surface 100mm



Fix using BPC 30x3.75mm sharardised nails in all pre-punched holes.

Other widths available to order, POA.

