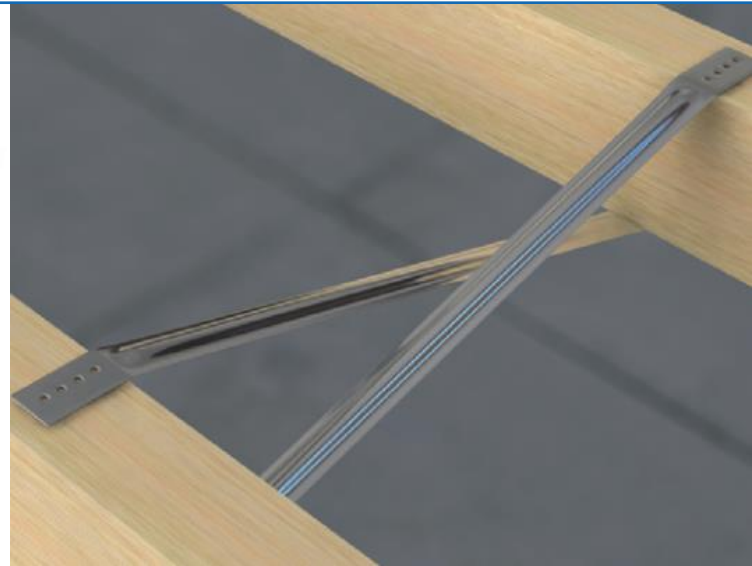
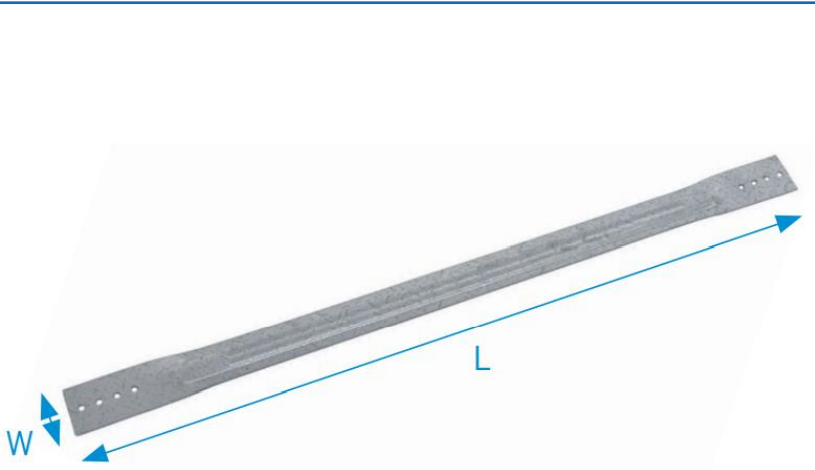


Timber Fixings



HJS Herringbone Joist Strut

A superior alternative to timber strutting, Herringbone Struts offer a cost effective method of providing necessary lateral support to floor joists as required by the Building Regulations. Fix to the top and underside of joists using the pre-punched holes. Position at the centre of the span where joists exceed 4.5 metres. Manufactured from 0.9mm thick galvanised steel to suit joist centre spacing of 400, 450 and 600mm.

Dimensions

Product code	Dimensions [mm]		Box Quantity
	W	L	
HJS/400	32	480	100
HJS/450	32	530	100
HJS/600	32	660	100