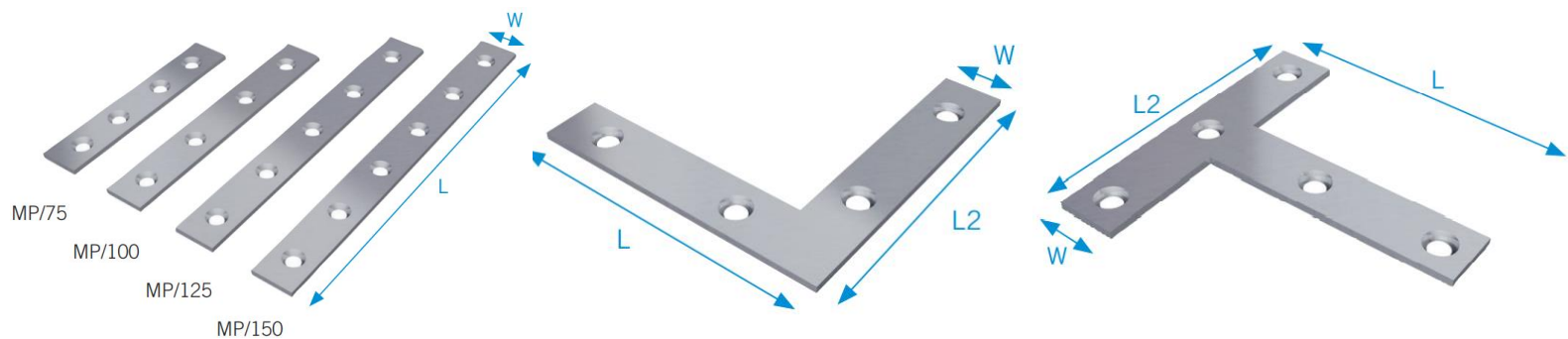


## Angle Brackets

Produced from galvanised steel to BS EN 10346:2009 + G275 as standard, or stainless steel grade 304 to BS EN 10088-2 Grade 1.4301, available to order.



## MP Mending Plates

Mending plates for DIY and professional fixing applications.  
Manufactured from pre-galvanised mild steel

### Dimensions

Product code	Dimensions [mm]			Outer Box Quantity
	T	W	L	
<b>MP/75/10PK</b>	1.5	15	75	150 x 10PK
<b>MP/100/10PK</b>	1.5	15	100	150 x 10PK
<b>MP/125/10PK</b>	1.5	15	125	60 x 10PK
<b>MP/150/10PK</b>	1.5	15	150	60 x 10PK

Product code	Dimensions [mm]				Outer Box Quantity
	T	W	L	L2	
<b>CMP/50/10PK</b>	1.5	12	50	50	150 x 10PK
<b>CMP/75/10PK</b>	1.5	15	75	75	100 x 10PK

Product code	Dimensions [mm]				Outer Box Quantity
	T	W	L	L2	
<b>TMP/75/10PK</b>	1.5	15	75	75	100 x 10PK