

Data Sheet

SPMH/S

Timber to Masonry Joist Hanger

Joist Hanger Type S (Standard) Top Flange 75mm

The standard hanger is designed for building into brickwork or blockwork.
Available in the following depths and widths.

Width
38mm, 44mm, 47mm, 50mm, 63mm, 75mm, 100mm, 125mm, 150mm

Depth
100mm, 125mm, 150mm*, 175mm*, 200mm*, 225mm*, 250mm*

Bearing surface 75mm

Order Code = SPMH/S/width x depth i.e. SPMH/S/50x200



SPMH Safe Working Loads (kN)

Masonry Strength 2.8 N/mm²

Nominal Joist depth	SPMH depth	Joist Widths		
		38 - 50	63 - 75	89 - 150
100mm	100mm	3.08	2.86	n/a
125mm	125mm	3.21	2.86	n/a
150mm	140mm	3.28	3.05	n/a
175mm	165mm	3.40	3.07	n/a
200mm	190mm	3.52	3.29	n/a
225mm	215mm	3.65	3.43	n/a
250mm	240mm	3.65	3.43	n/a
275mm	265mm	3.65	3.43	n/a

Masonry Strength 3.5 N/mm²

Nominal Joist depth	SPMH depth	Joist Widths		
		38 - 50	63 - 75	89 - 150
100mm	100mm	2.67	2.77	n/a
125mm	125mm	2.86	2.98	n/a
150mm	140mm	3.05	3.19	n/a
175mm	165mm	3.25	3.40	n/a
200mm	190mm	3.44	3.61	n/a
225mm	215mm	3.63	3.82	n/a
250mm	240mm	3.63	3.82	n/a
275mm	265mm	3.63	3.82	n/a

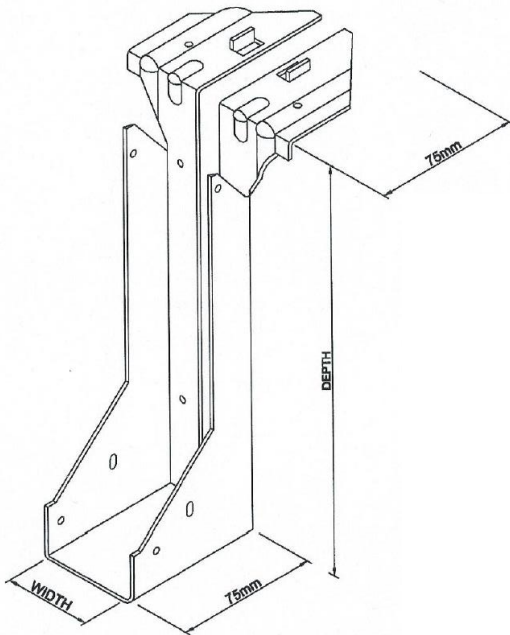
Masonry Strength 4.0 N/mm²

Nominal Joist depth	SPMH depth	Joist Widths		
		38 - 50	63 - 75	89 - 150
100mm	100mm	2.84	2.93	4.17
125mm	125mm	3.06	3.18	4.17
150mm	140mm	3.19	3.33	4.08
175mm	165mm	3.41	3.57	3.99
200mm	190mm	3.64	3.83	3.90
225mm	215mm	3.87	3.87	3.81
250mm	240mm	3.87	3.87	3.81
275mm	265mm	3.87	3.87	3.81

Masonry Strength 7.0 N/mm²

Nominal Joist depth	SPMH depth	Joist Widths		
		38 - 50	63 - 75	89 - 150
100mm	100mm	3.13	4.29	4.47
125mm	125mm	3.55	4.62	4.47
150mm	140mm	3.80	4.87	4.42
175mm	165mm	4.22	5.22	4.36
200mm	190mm	4.63	5.58	4.31
225mm	215mm	5.05	5.94	4.25
250mm	240mm	5.05	5.94	4.25
275mm	265mm	5.05	5.94	4.25

SPMH/S Timber to Masonry Joist Hanger



A comprehensive range of single piece non-welded timber to masonry hangers, designed to support timber joists from brick or block walls. As standard all hangers are manufactured from 2.0mm thick pre-galvanised steel to BS EN 10346 : 2009, DX51D + G600 compliant with BS6178:Part 1:1990 and to the requirements of BS5268.

Wide top flange design offers increased loading capacity on masonry with a minimum crushing strength of 2.8N/mm² and above. Hangers 150mm deep and over are manufactured 10mm less to allow for notching and regularisation of timber joists

All hangers feature 75mm bearing surface and pre-punched side gussets to allow nail fixing into timber joists with 30 x 3.75mm sherardized square twist nails.

Installation Details

The back plate of the joist hanger must be flush against the supporting masonry.

A minimum of 675mm of cured masonry must be in position above the joist hanger flanges before any load is applied.

Timber joists should be cut square and butt up to the back face of the hanger with a maximum allowed gap of 6mm.

Nail to the timber joist through all pre-punched holes in each side gusset with BPC 30x3.75mm sherardized square twist nails (see page 19).

It is recommended that ceiling joists are notched at the hanger base to achieve a level surface when using plasterboards.

Type 'R' return hangers and Type 'D' straddle hangers allow easy location and alignment of joists during construction.

Heavy Duty Restraint Straps must be used with all types of SPMH joist hangers to provide lateral restraint.



To order or find out more
call **01924 364 794**
or scan the QR code.